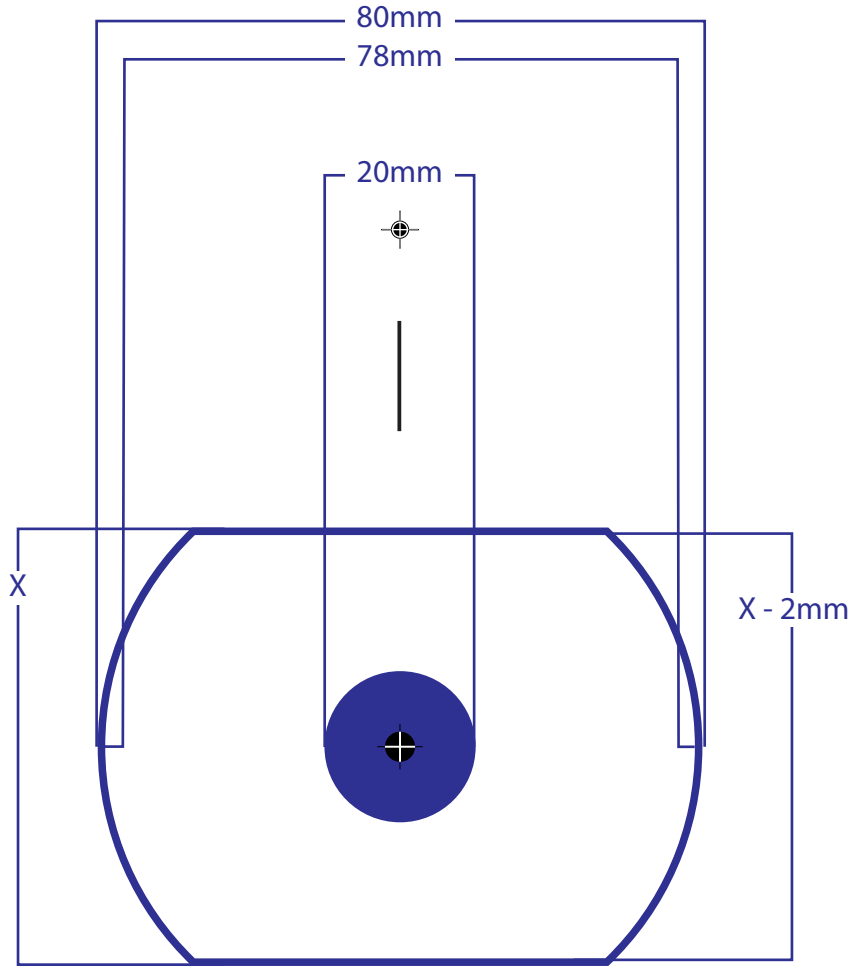


# General Business Card Disc label Specifications



**X= 55 20MB**  
**X= 58 40MB**  
**X= 60 50MB**  
**X= 62 65MB**

**X= 64 80MB**  
**X= 64 85MB**  
**X= 68 100MB**  
**X= 70 125MB**



5678 East Conours Avenue, Ontario, CA 91764  
 Phone: (909) 476-3818 Fax: (909) 476-8266  
[www.gentekmedia.com](http://www.gentekmedia.com) [info@gentekmedia.com](mailto:info@gentekmedia.com)

## Ink Colors Used:

Pantone	<input type="text"/>	1st
Pantone	<input type="text"/>	2nd
Pantone	<input type="text"/>	3rd
Pantone	<input type="text"/>	4th
Pantone	<input type="text"/>	5th

Used for specific colors. Don't use for 4-color process  
 For optimal color, a white flood coat is generally required

## Disc Label Specifications

CD Size X \* 80 mm  
 Printable Area X- 2mm \* 78 mm  
 Center no print 20 mm

- All fonts and images must be included with the art file and saved on disk or converted to outlines. Embedding images and fonts is recommended.
- Artwork may bleed outside blue no-print areas if being sent electronically, however, no art may appear outside the printable area or over the center hole (blue areas) when film is developed. Make a "Clipping Mask" to eliminate artwork that falls outside the print area.
- Resolution of film output should be 1200X2400 and 100 lpi for Pantone colors or 133 lpi for process. Offset printing resolution should be 185 lpi.
- Film for silk screen is positive, emulsion side up, right reading.
- Film for offset is negative, emulsion down, right reading.
- Keep all registration marks and color keys.
- To ensure accurate color matching, provide a hard copy color proof with this file.